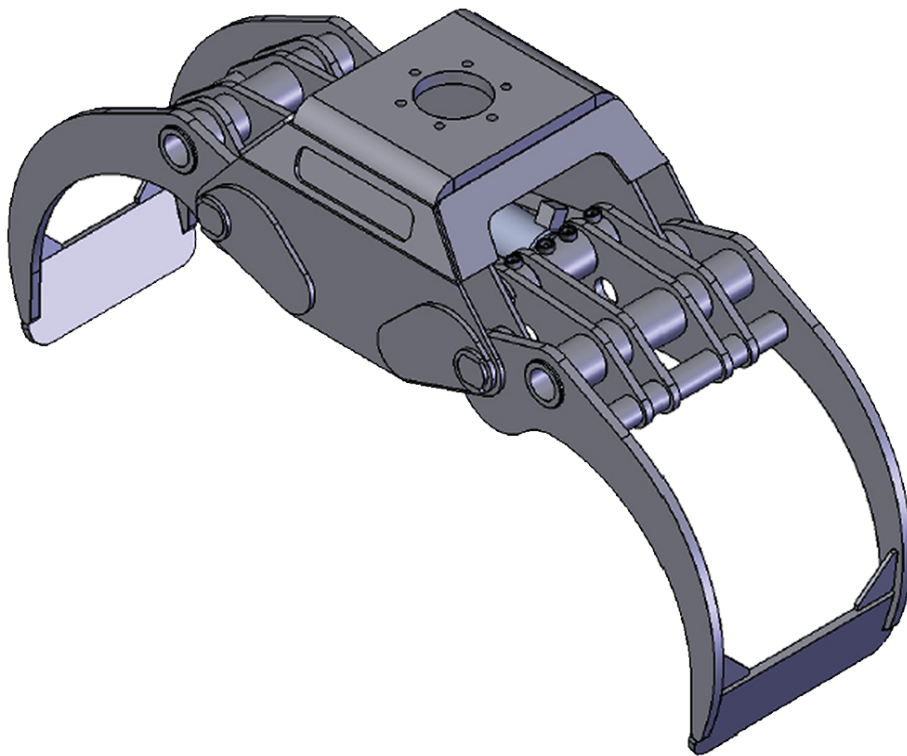
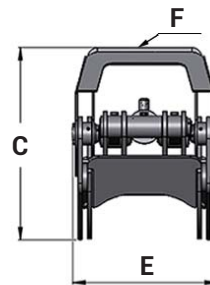
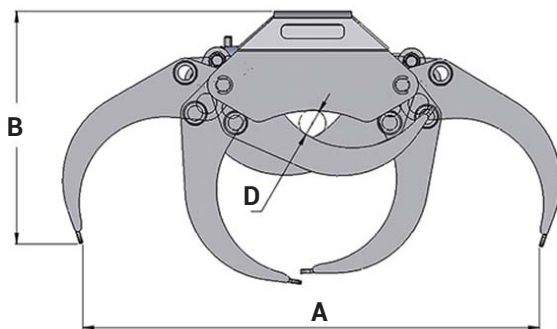


TIGERGRIP | TG 28S



KEY FEATURES

- Heavy duty
- Double guide bars
- Optimized roll in/roll out properties
- High pressure cylinder with double piston rod seals
- High tensile wear resistant steel (400 HB)
- Extra reinforced body for rigid mounting - excavator design



A	1490
B	785
C	570
D	100
E	508
F	173/6

MODEL SPECIFICATIONS



TG 28S	256	0,30	300	60	16,6	15	5	15	10	OK		
--------	-----	------	-----	----	------	----	---	----	----	----	--	--

INTERMERCATO

High performance lift and load attachments for Forestry, Transport, Construction and Recycling.

